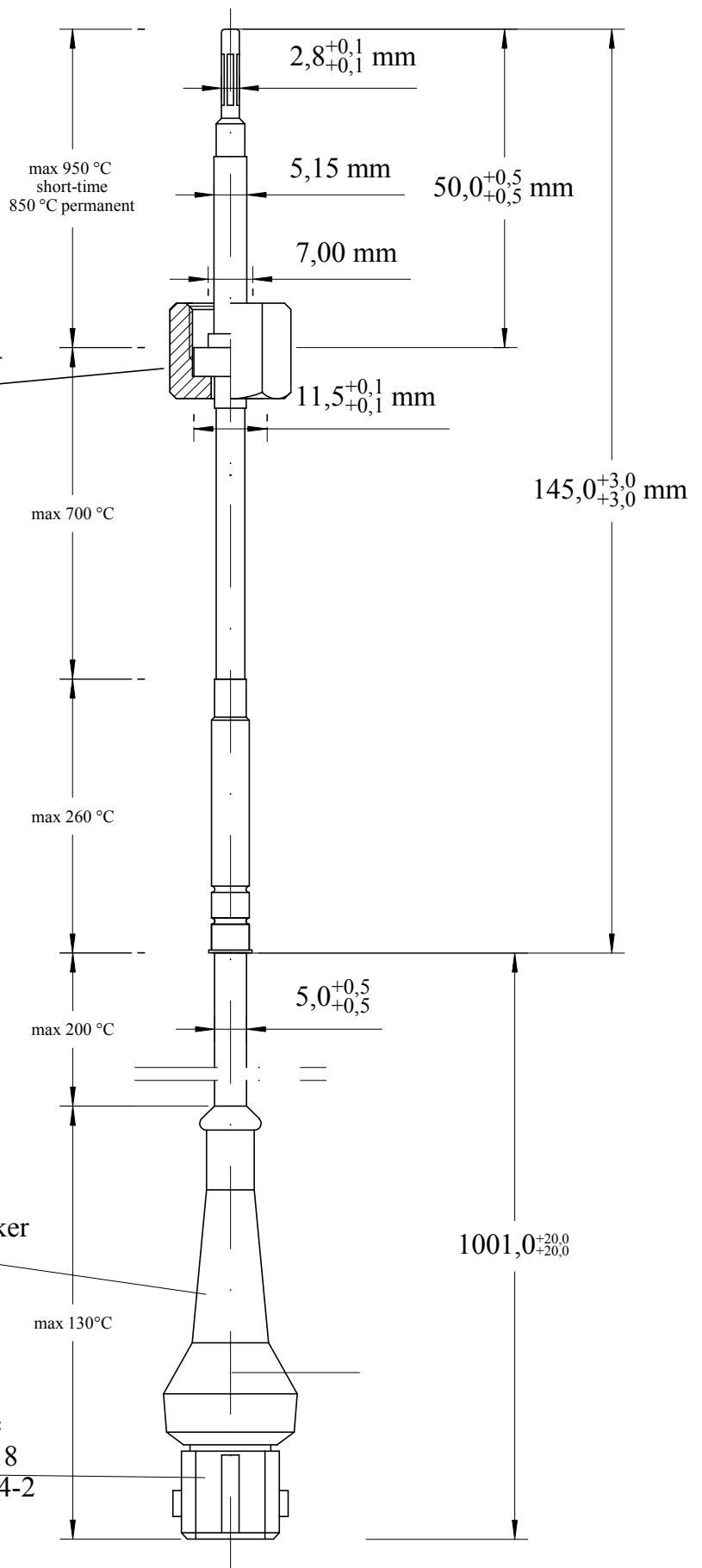
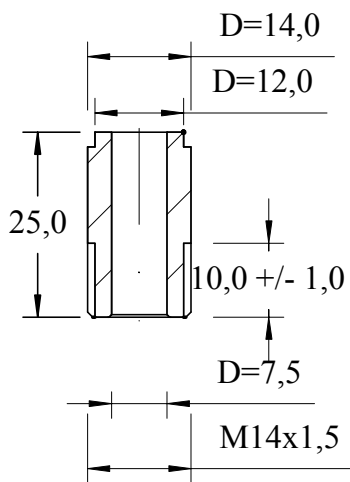


| T [°C] | R |
|--------|----------|
| -40 | 169 ohms |
| 0 | 201 ohms |
| 25 | 220 ohms |
| 200 | 351 ohms |
| 400 | 492 ohms |
| 600 | 623 ohms |
| 800 | 745 ohms |
| 950 | 831 ohms |



Nur mit SO-200 zusammen liefern!



Gummitülle für RSQ-Stecker

Connector Bosch Jetronic
1 x Housing 1 224 485 018
2 x Contacts AMP 160174-2

| Allgemeintoleranzen gem. ISO 2768 | | | | Datum | Name |
|-----------------------------------|------------------|------------|------|---|-----------------|
| | | | | Bearb. 03.07.2012 | S. Carstens |
| | | | | Gepr. | |
| | | | | Norm | |
| | | | | TurboCAD16.1 | Maßstab ca. 1:1 |
| b | connector Bosch | 04.10.2012 | sc | EngineSens Motorsensor GmbH Alfred- Nobel-Str. 6 phone +49 (0)6204-986 08 23 D-68519 Viernheim fax +49 (0)6204-986 08 25 | |
| a | straight version | 25.09.2012 | sc | | |
| Index | Änderung | Datum | Name | | |

Exhaust gas temperature probe Pt200
HTS Version EngineSens Motorsensor
part-no. 20110 dimensions in [mm]