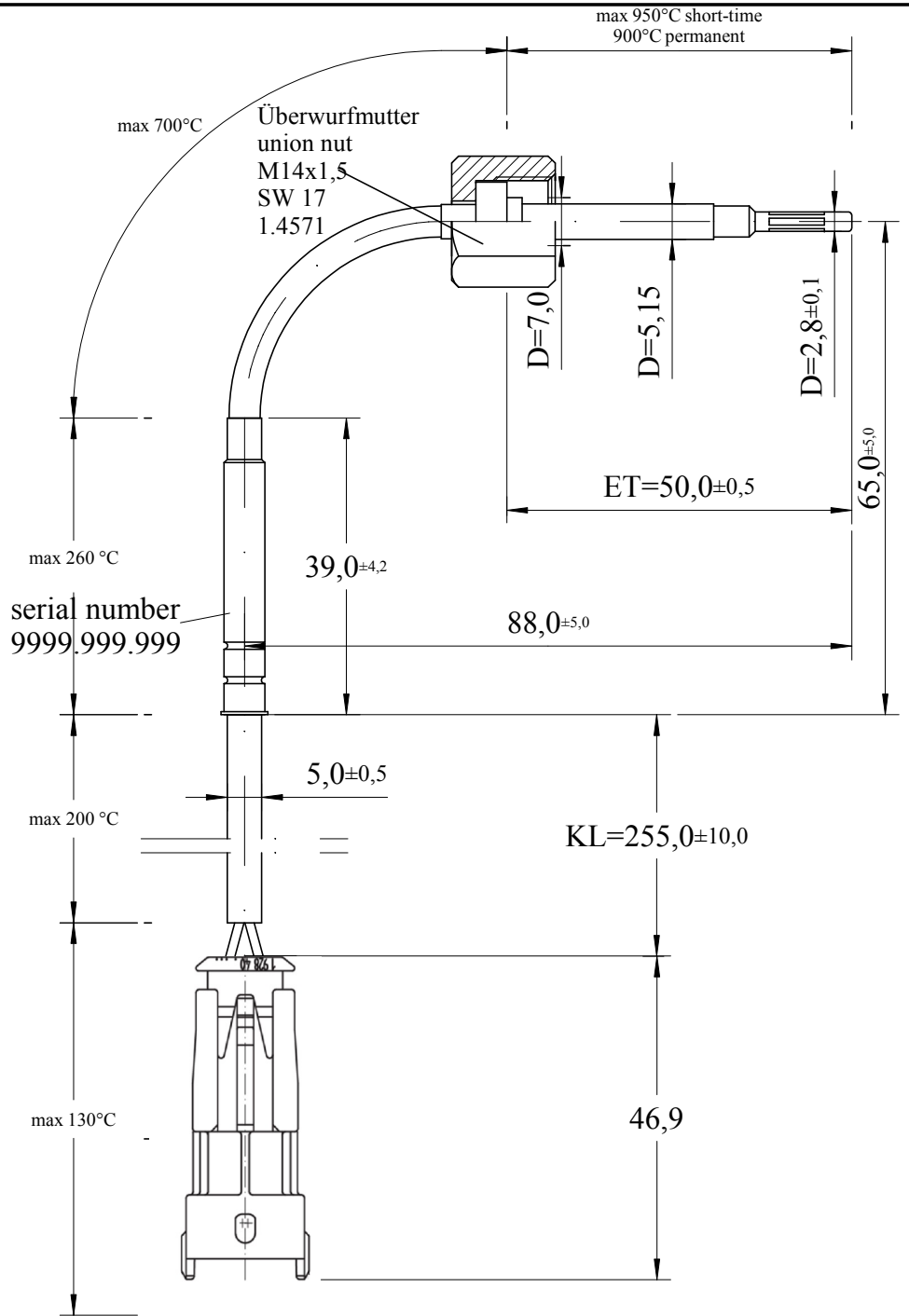
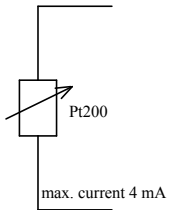


T [°C]	R
-40	169 ohms
0	201 ohms
25	220 ohms
200	351 ohms
400	492 ohms
600	623 ohms
800	745 ohms
950	831 ohms



Connector/Kupplung:
 Bosch Kupplungsstecker A 2-polig
 Housing Bosch 1 928 404 226
 Contacts AMP 1-962 915-1 tinned
 Seals AMP 828 904 blue

Mating Part/Stecker (not included)
 Bosch Kompaktstecker 1928 403 874
 Contacts AMP 929 939-3
 Seals AMP 828 904 blue

Allgemeintoleranzen gem. ISO 2768				Datum	Name	Exhaust gas temperature probe Pt200 HTS Version EngineSens Motorsensor part-no. 20115
			Bearb.	13.09.2015	S. Carstens	
			Gepr.			
			Norm			
			TurboCAD16.1		Maßstab ca. 1:1	
EngineSens Motorsensor GmbH						Blatt 1/1
Mannheimer Str. 44b phone +49 (0)6204-986 08 23 D-68519 Viernheim fax +49 (0)6204-986 08 25						
Index	Änderung	Datum	Name			