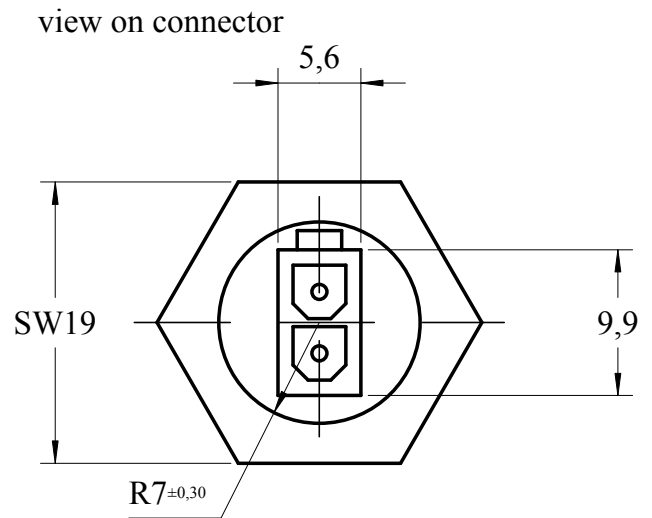
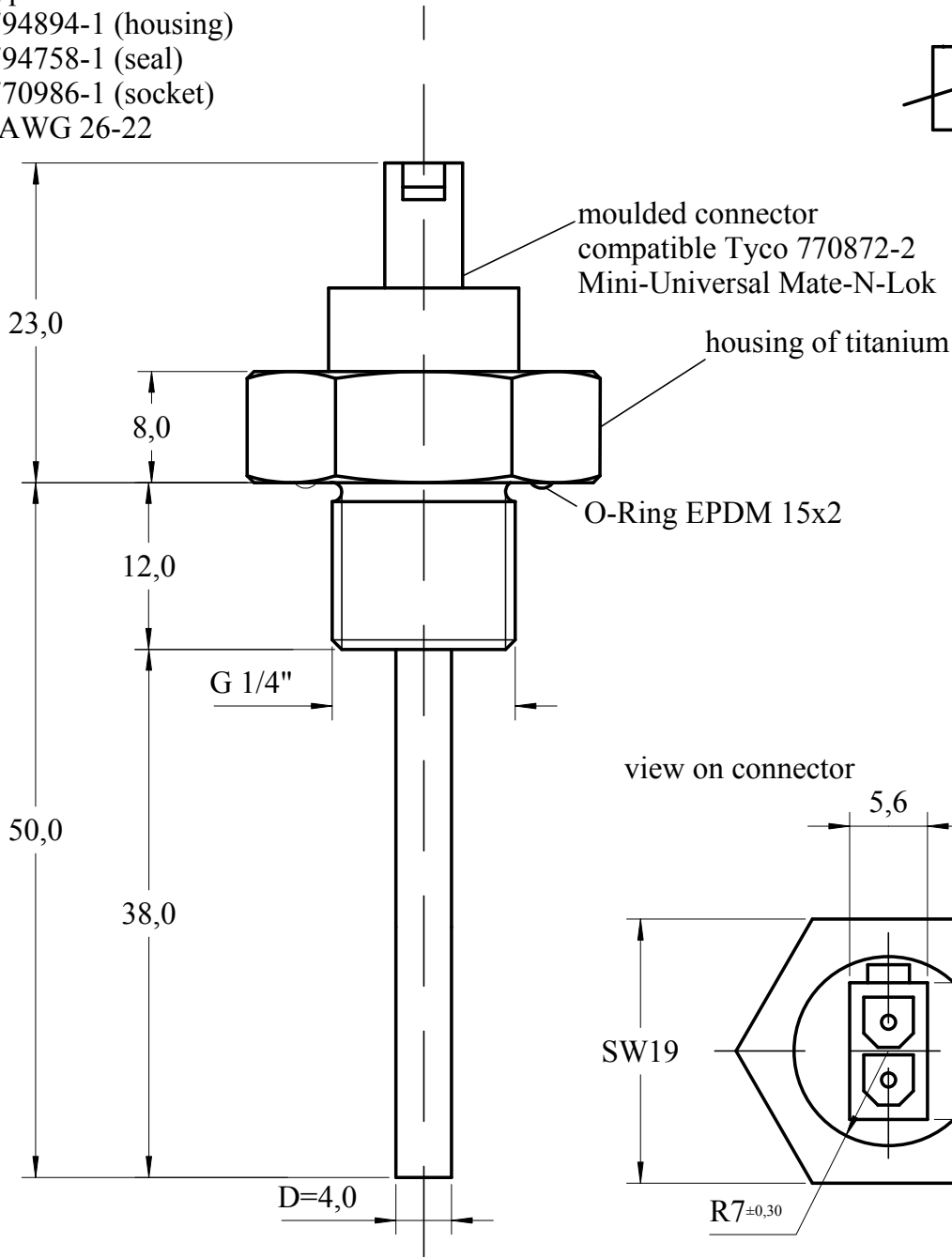
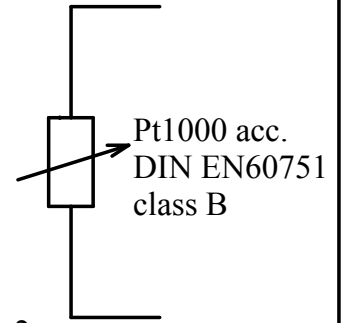


mating parts of harness:
 Tyco 794894-1 (housing)
 Tyco 794758-1 (seal)
 Tyco 770986-1 (socket)
 all for AWG 26-22



				Allgemein-toleranzen gem. ISO 2768		scale ca. 2:1 Measurements in [mm] weight	
						temperature range: -40°C...+150°C	
				Datum	Name	Titanium housed temperatureprobe type "Titan TE" art.-no. 80008	
				Bearb.	S. Carstens		
				Gepr.			
				Norm			
				TurboCAD16.1		EngineSens Motorsensor GmbH Mannheimer Straße 44b D-68519 Viernheim	
Index	Änderung	Datum	Name				Blatt 1/1